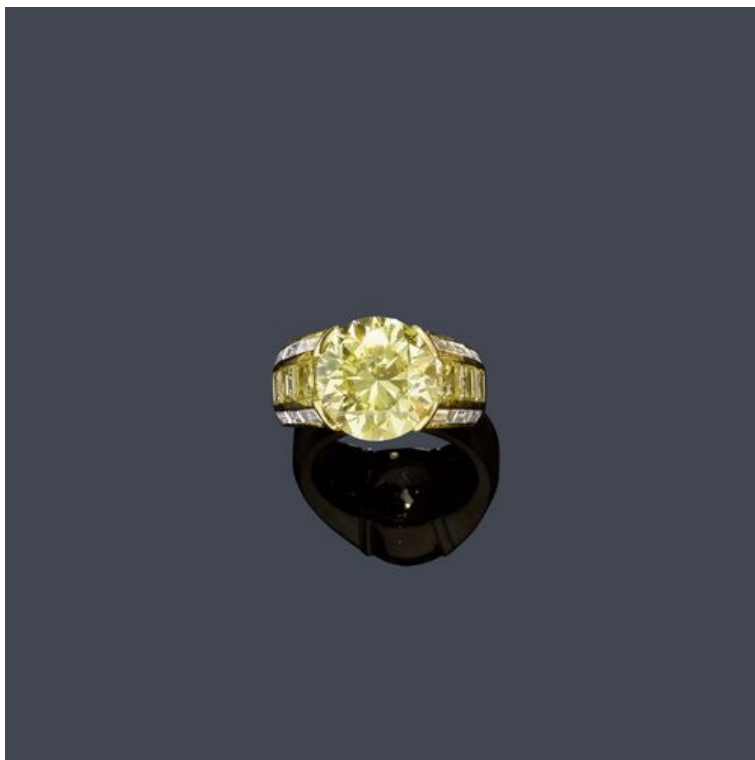


Koller Auktionen - Lot 2191*

A167 Schmuck - Mittwoch 04 Dezember 2013, 14.00 Uhr



FANCY-BRILLANT-RING, HEMMERLE.

Gelbgold 750.

Sportlich eleganter Bandring besetzt mit 1 Brillant von 10.41 ct, Fancy-Intense-Yellow/VVS2*, die Ringschultern zusätzlich verziert mit 6 gelblichen Diamant-Carrés von zus. ca. 0.90 ct und 12 eingeschliffenen Diamant-Baguetten. Gr. ca. 59.

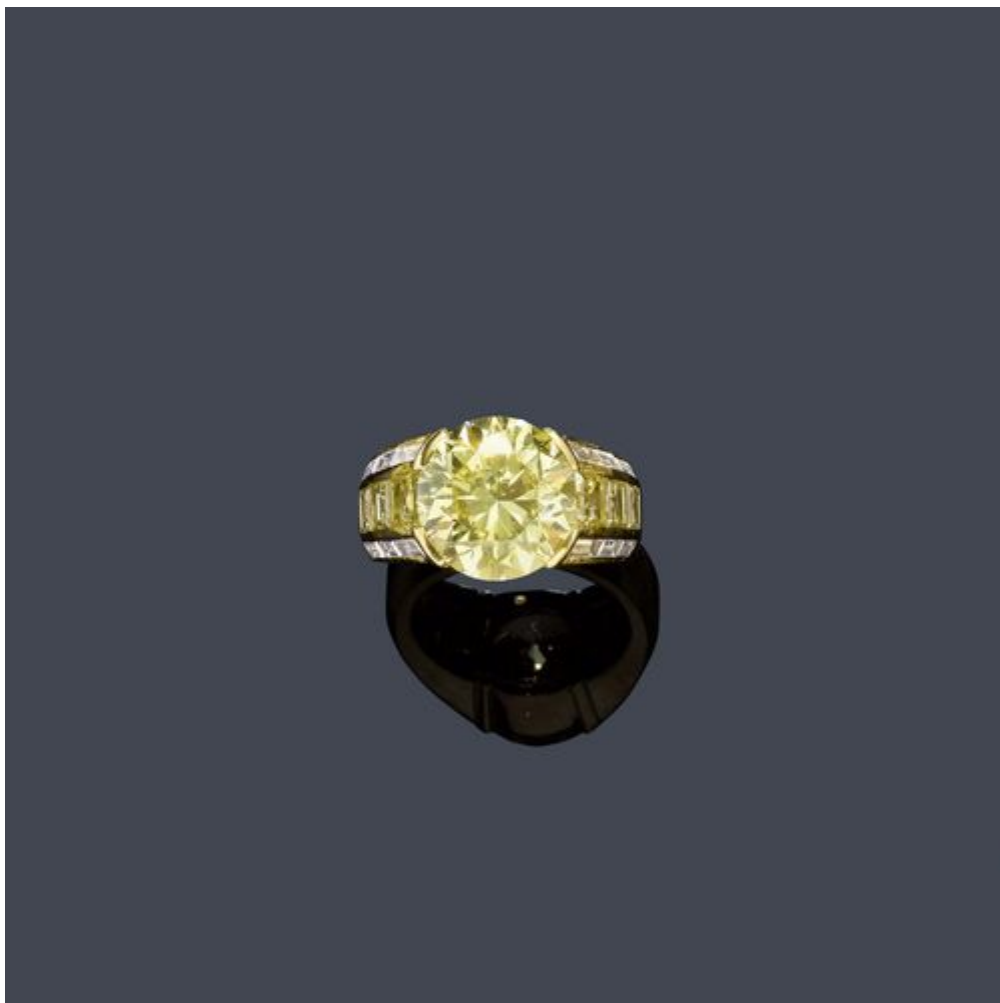
Mit Originaletui, GIA Report Nr. 2135168070, März 2011.

CHF 200 000 / 300 000

€ 186 920 / 280 370


Koller Auktionen - Lot 2191*

A167 Schmuck - Mittwoch 04 Dezember 2013, 14.00 Uhr



Koller Auktionen - Lot 2191*

A167 Schmuck - Mittwoch 04 Dezember 2013, 14.00 Uhr



GIA
GEMOLOGICAL INSTITUTE OF AMERICA®

5355 Arden Drive | Carlsbad, CA 92008-9002
T: 760-603-4500 | F: 760-603-1814

GIA Laboratories
Bangkok Carlsbad Gaborone
Johannesburg Mumbai New York

www.gia.edu

COLORED DIAMOND GRADING REPORT

GIA REPORT 2135168070

March 16, 2011

Shape and Cutting Style **Round Brilliant**
Measurements **13.62 - 13.72 x 9.01 mm**



GRADING RESULTS

Carat Weight **10.41 carat**
Color **NATURAL**
Origin **FANCY INTENSE**
Grade **YELLOW**
Distribution **Even**
Clarity Grade **VVS2**

ADDITIONAL GRADING INFORMATION

Finish
Polish **Good**
Symmetry **Very Good**
Fluorescence **None**
Comments:
None

REFERENCE DIAGRAMS

KEY TO SYMBOLS

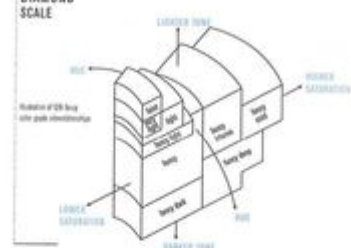
- ~ Feather
- Bruise

Red symbols denote internal characteristics (inclusions). Green or black symbols denote external characteristics (blemishes). Diagram is an approximate representation of the diamond, and symbols shown indicate type, position, and approximate size of clarity characteristics. All clarity characteristics may not be shown. Details of finish are not shown.

GIA CLARITY SCALE

FLAWLESS
INTERNALLY FLAWLESS
VVS₁
VVS₂
VS₁
VS₂
SI₁
SI₂
I₁
I₂

GIA COLORED DIAMOND SCALE




210510135034

GIA CLARITY SCALE

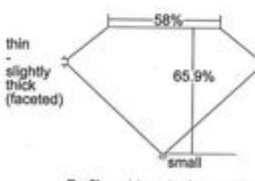
FLAWLESS
INTERNALLY FLAWLESS
VVS₁
VVS₂
VS₁
VS₂
SI₁
SI₂
I₁
I₂

GIA COLORED DIAMOND SCALE



210510135034

thin - slightly thick (faceted)



small

Profile not to actual proportions

The Report is not a guarantee, valuation or appraisal and contains only the characteristics of the diamond described herein after it has been graded, examined and analyzed by the laboratory providing the Report ("GIA") and/or has been identified using the techniques and equipment used by GIA at the time of the examination and/or inspection. Inscriptions reported in this document are not a guarantee, valuation, or warranty of a diamond's quality, quantity of sugar or inclusions, or that the diamond will be identifiable by the inscription in the future (since inscriptions can be removed). GIA makes no representation concerning any trademark, word, or symbol which is marked by GIA or which is identified on this Report. The recipient of this Report may wish to consult a professional jeweler or gemologist about the information contained herein.

IMPORTANT LIMITATIONS ON BACK
©2009 GEMOLOGICAL INSTITUTE OF AMERICA, INC.