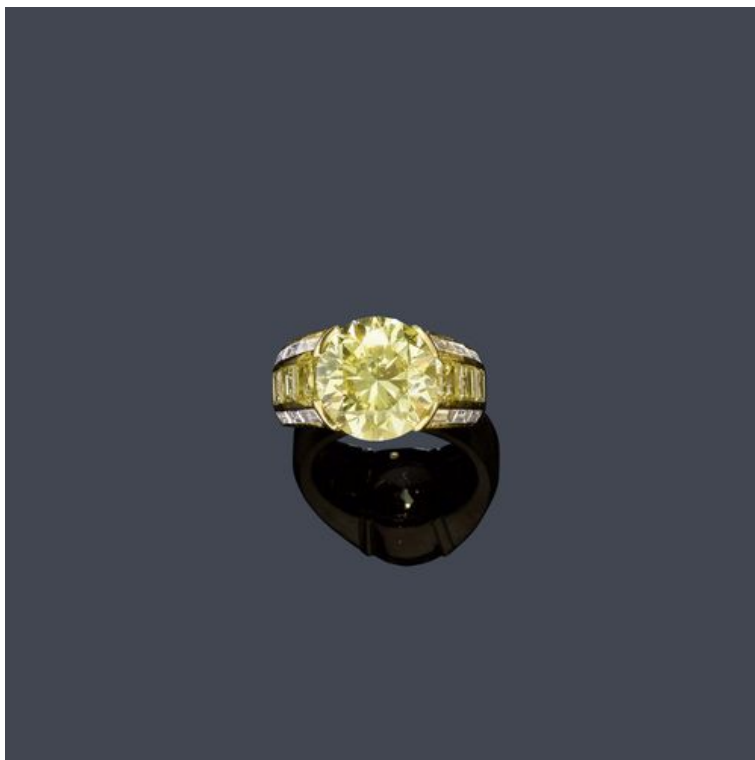


Koller Auktionen - Lot 2191*

A167 Jewellery - Wednesday 04 December 2013, 02.00 PM



FANCY DIAMOND RING, HEMMERLE.

Yellow gold 750.

Casual-elegant band ring set with 1 brilliant-cut diamond weighing 10.41 ct, fancy intense-yellow/ VVS2*, the ring shoulders additionally decorated with 6 yellowish square-cut diamonds weighing ca. 0.90 ct and 12 baguette-cut diamonds. Size ca. 59.

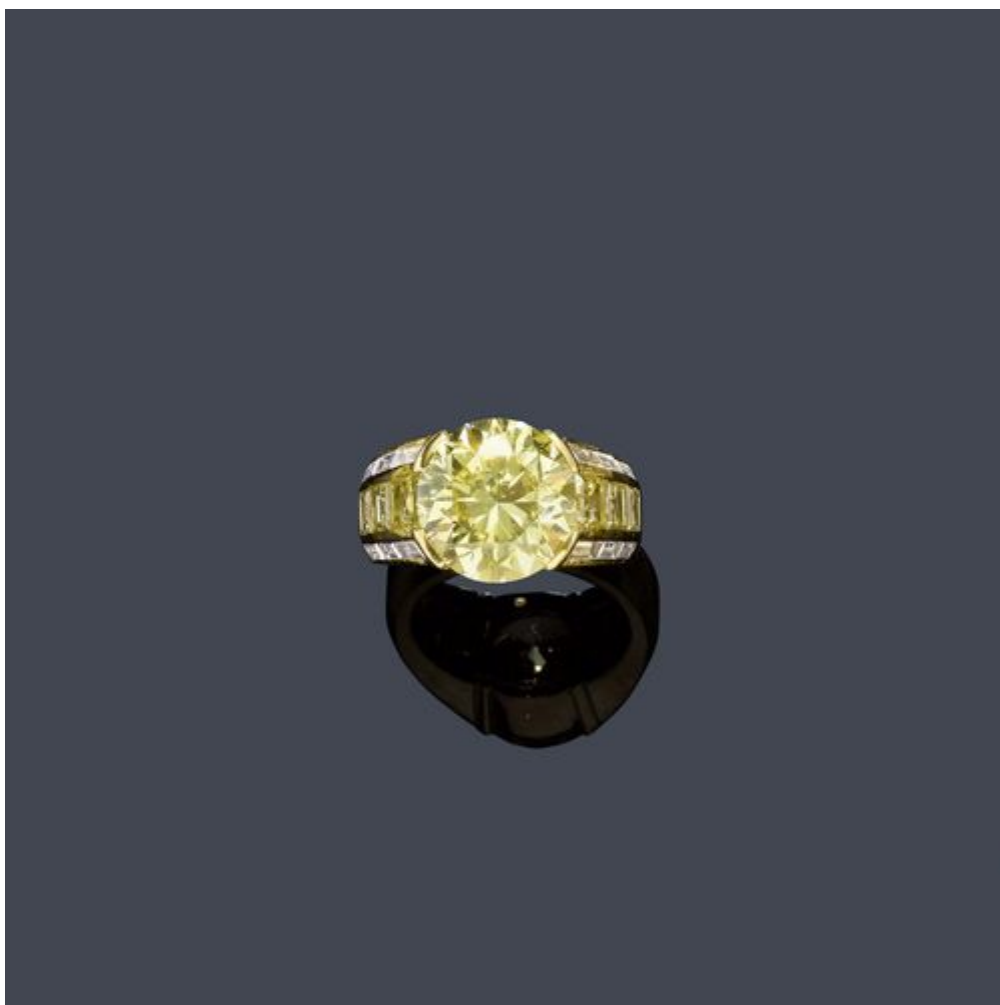
With original case, GIA Report No. 2135168070, March 2011.

CHF 200 000 / 300 000

€ 186 920 / 280 370


Koller Auktionen - Lot 2191*

A167 Jewellery - Wednesday 04 December 2013, 02.00 PM



Koller Auktionen - Lot 2191*

A167 Jewellery - Wednesday 04 December 2013, 02.00 PM



GIA
GEMOLOGICAL INSTITUTE OF AMERICA®

5355 Arroyo Drive | Carlsbad, CA 92008-9002
T: 760-603-4500 | F: 760-603-1814

GIA Laboratories
Bangkok Carlsbad Gaborone
Johannesburg Mumbai New York

www.gia.edu

COLORED DIAMOND GRADING REPORT

GIA REPORT 2135168070

March 16, 2011

Shape and Cutting Style **Round Brilliant**
Measurements **13.62 - 13.72 x 9.01 mm**

GRADING RESULTS



Carat Weight **10.41 carat**
Color **NATURAL**
Origin **FANCY INTENSE**
Grade **YELLOW**
Distribution **Even**
Clarity Grade **VVS2**

ADDITIONAL GRADING INFORMATION

Finish

Polish **Good**
Symmetry **Very Good**
Fluorescence **None**
Comments:
None

REFERENCE DIAGRAMS

KEY TO SYMBOLS

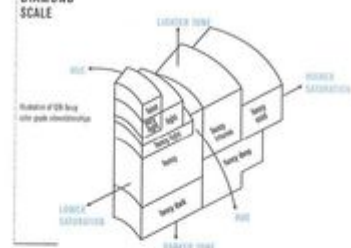
- ~ Feather
- Bruise

Red symbols denote internal characteristics (inclusions). Green or black symbols denote external characteristics (blemishes). Diagram is an approximate representation of the diamond, and symbols shown indicate type, position, and approximate size of clarity characteristics. All clarity characteristics may not be shown. Details of finish are not shown.


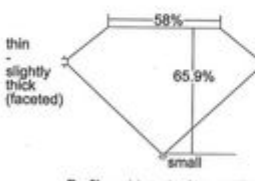
GIA CLARITY SCALE

FLAWLESS
INTERNALLY FLAWLESS
VVS₁
VVS₂
VS₁
VS₂
SI₁
SI₂
I₁
I₂

GIA COLORED DIAMOND SCALE



210510135034

Profile not to actual proportions

The Report is not a guarantee, valuation or appraisal and contains only the characteristics of the diamond described herein after it has been graded, examined and analyzed by the laboratory providing the Report ("GIA") and/or has been analyzed using the techniques and equipment used by GIA at the time of the examination and/or inspection. Inscriptions reported in this document are not a guarantee, valuation, or warranty of a diamond's quality, clarity or origin, or that the diamond will be identifiable by the inscription in the future (since inscriptions can be removed). GIA makes no representation concerning any trademark, word, or symbol which is inscribed by GIA or which is observed on this Report. The recipient of this Report may wish to consult a professional jeweler or gemologist about the information contained herein.

IMPORTANT LIMITATIONS ON BACK
©2009 GEMOLOGICAL INSTITUTE OF AMERICA, INC.